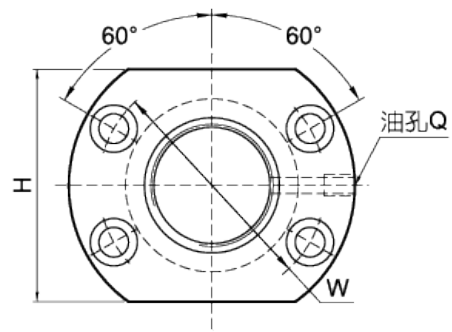
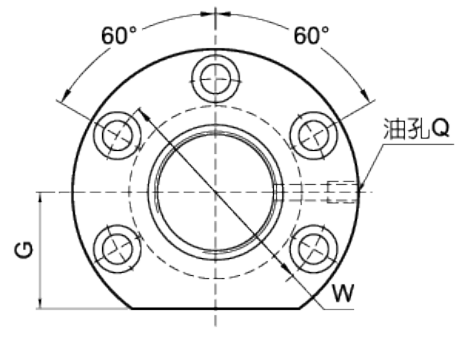


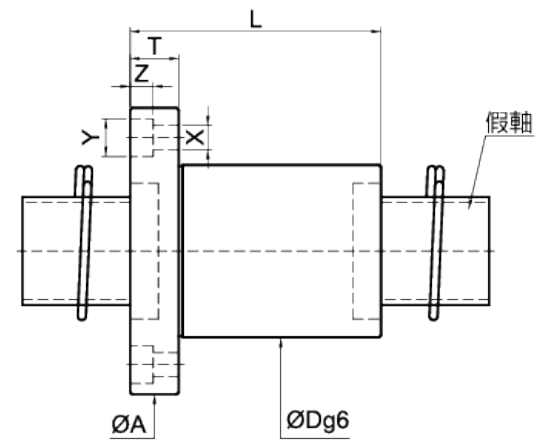
法蘭:A



法蘭:B



法蘭:C



SCREW SIZE		BALL DIA.	EFFECTIVE TURNS	BASIC RATE LOAD (kgf)		BALLNUT DIMENSION													
O.D.	LEAD			Dynamic (1×10 ⁶ REV.) Ca	Static Co	O.D.	Length	Flange						Assembly Hole			Oil Hole	STIFFNESS	Nut Model NO.
						D	L	A	T	W	G	H	X	Y	Z	Q	kgf/μm		
14	4	2.381	4	400	890	26	47	46	10	36	20	40	4.5	8	4.5	M6x1P	18	FSIW1404A-4.0P	
16	4	2.381	3	320	760	28	42	48.5	10	39	20	40	4.5	8	4.5	M6x1P	13	FSIW1604A-3.0P	
	5	3.175	3	570	1030	30	42	49	10	39	20	40	4.5	8	4.5	M6x1P	17	FSIW1605B-3.0P	
20	4	2.381	4	450	1270	34	44	60	12	48	22	44	5.5	9.5	5.5	M6x1P	19	FSIW2004A-4.0P	
	5	3.175	4	830	1890	34	53	57	12	45	20	40	5.5	9.5	5.5	M6x1P	21	FSIW2005B-4.0P	
25	4	2.381	3	380	1195	40	40	63	12	51	22	44	5.5	9.5	5.5	M8x1P	17	FSIW2504A-3.0P	
	5	3.175	4	940	2420	40	53	63.5	12	51	22	44	5.5	9.5	5.5	M8x1P	26	FSIW2505B-4.0P	
	10	4.762	4	1550	3540	42	85	68.5	15	55	26	52	6.6	11	6.5	M8x1P	28	FSIW2510D-4.0P	
28	6	3.175	3	770	2180	43	50	68	12	55	26	52	6.6	11	6.5	M8x1P	22	FSIW2806B-3.0P	
32	5	3.175	4	1050	3390	48	53	73.5	12	60	30	60	6.6	11	6.5	M8x1P	32	FSIW3205B-4.0P	
	10	6.35	4	2510	5880	54	90	88	16	70	34	68	9	14	8.5	M8x1P	34	FSIW3210F-4.0P	
36	10	6.35	4	2570	6870	58	89	98	18	77	36	72	11	17.5	11	M8x1P	39	FSIW3610F-4.0P	
40	5	3.175	4	1180	4390	55	56	88.5	16	72	29	58	9	14	8.5	M8x1P	38	FSIW4005B-4.0P	
	10	6.35	4	2630	7860	64	93	106	18	84	43	86	11	17.5	11	M8x1P	41	FSIW4010F-4.0P	
50	10	6.35	4	2770	10290	74	93	116	18	94	42	84	11	17.5	11	M8x1P	50	FSIW5010F-4.0P	
63	10	6.35	4	3760	13700	85	98	132	22	107	48	96	14	20	13	M8x1P	60	FSIW6310F-4.0P	
80	10	6.35	4	4130	17660	105	98	151	22	127	57	114	14	20	13	M8x1P	73	FSIW8010F-4.0P	

Note: Stiffness of nut: Stiffness values listed above are derived from theoretical formula to the elastic deformation between thread grooves and balls while axial load is 30% dynamic load rating.