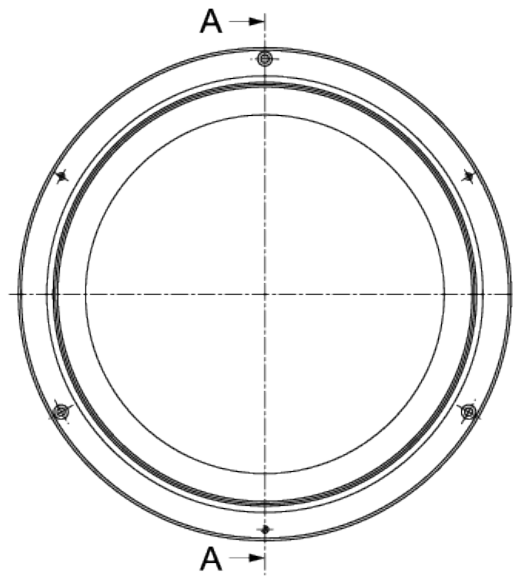


A-A剖面



<b>CRBC/CRBB/CRBH</b>	<b>D</b>	<b>d</b>	<b>B</b>	<b>r<sub>min</sub></b>
3010	55	30	10	0.5
4010	65	40	10	0.6
4510	70	45	10	0.6
5013	80	50	13	0.7
6013	90	60	13	0.7
7013	100	70	13	0.7
8013	110	80	13	0.8
8016	120	80	16	0.8
9016	130	90	16	0.8
10020	150	100	20	1.0
11020	160	110	20	1.0
12025	180	120	25	1.8
13025	190	130	25	1.5
14016	175	140	16	1.5
14025	200	140	25	1.8
15013	180	150	13	1.8
15025	210	150	25	1.8
15030	230	150	30	2
16025	220	160	25	2

Note\*: If you need any others size or specification, please do not hesitate to contact *PMI*.

<b>CRBC/CRBB/CRBH</b>	<b>Mass (kg)</b>	<b>Dynamic load rating C(N)</b>	<b>Static load rating C(N)</b>
3010	0.12	4500	5100
4010	0.15	8000	9300
4510	0.17	8400	10300
5013	0.29	14900	16700
6013	0.33	16300	18900
7013	0.38	17500	21800
8013	0.7	18200	24600
8016	0.74	18700	26100
9016	0.81	21000	28900
10020	1.45	34800	50600
11020	1.56	36400	54900
12025	2.62	40700	56400
13025	2.82	41700	59700
14016	1	38800	63500
14025	2.96	42300	64600
15013	0.68	24800	44700
15025	3.16	47400	67900
15030	5.3	45700	71200
16025	3.14	45700	71200